



Marine Roller Wheel Fender

 **ZHIYOU MARINE**
Marine & Offshore Equipment Supplier

Shanghai Zhiyou Marine & Offshore Equipment Co., Ltd

Web: www.zhiyoumarine.com

Email: sales@zhiyoumarine.com

Tel: +86 21 5645 2367

Brief

Marine roller wheel fender is a kind of ship dock fenders that commonly installed on the berth corners and dock entrances also widely installed along the wall of dry docks and other restricted channels to help guide vessels and prevent hull damage. They can be grounded side-by-side to guide the vessel, vertically to deal with high water level variation or can be mounted at an angle for the large hull angles.

Roller wheel type fenders also be used on mounted on a fixed axle supported by a special frame. The heavy duty steel supporting frames is designed to allow easy access to all mooring parts. Corrosion traps are eliminated, contributing to a long and low maintenance service life.

Specification

Selection of roller wheel diameter is from 600mm to 3000mm.

Singly or in multiple stacks design.

Material of accessories with hot galvanizing or stainless steel.

Other requirements.

Features

Good energy absorption and gentle contact surface.

Low rolling resistance, large load bearing capability.

Composite bearing eliminate metal to metal contact.

Dimensions

Model	ΦA	B	C	D	H	L1	L2	L3
600×200	600	200	695	320	620	420	770	1120
900×300	900	300	1040	480	930	610	1120	1630
1500×500	1500	500	1740	800	1550	1010	1850	2690
2100×700	2100	700	2440	1155	2205	1410	2590	3770
2700×900	2700	900	3130	1440	2790	1810	-	-
3000×1000	3000	1000	3480	1600	3100	2010	-	-

More dimensions please see the drawing enclosed. Customized solution or any other requirements please contact us.



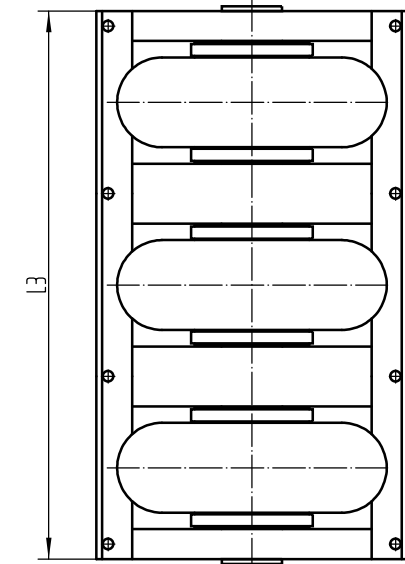
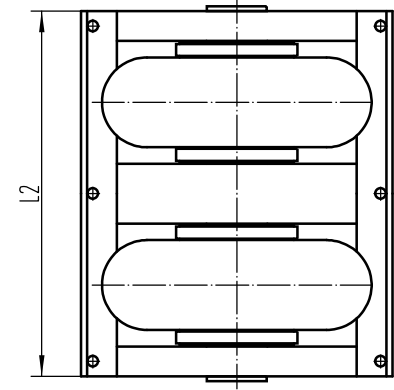
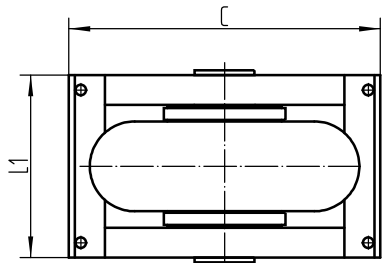
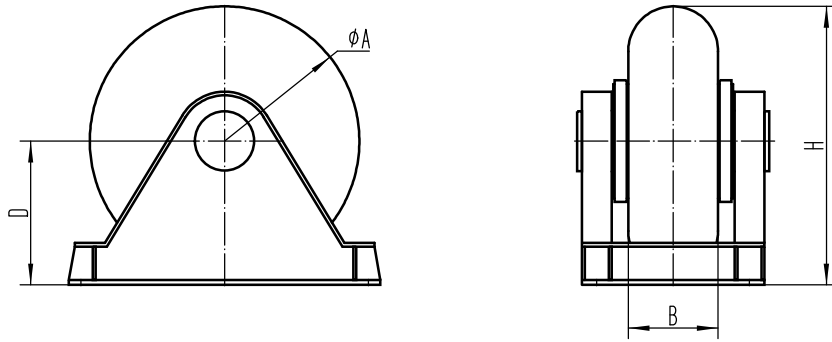
Shanghai Zhiyou Marine & Offshore Equipment Co., Ltd

Web: www.zhiyoumarine.com


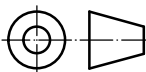
Email: sales@zhiyoumarine.com

Tel: +86 21 5645 2367

The drawings are for reference only, not used as production drawings. 此圖紙僅供參考，不作為生產圖紙。



Model	ϕA	B	C	D	H	Singly or in multiple stacks.		
						L1	L2	L3
MRF-600x200	600	200	695	320	620	420	770	1120
MRF-750x250	750	250	870	400	775	510	935	1360
MRF-900x300	900	300	1040	480	930	610	1120	1630
MRF-1200x400	1200	400	1380	640	1240	800	1500	2180
MRF-1500x500	1500	500	1740	800	1550	1010	1850	2690
MRF-1800x600	1800	600	2080	960	1860	1210	2215	3220
MRF-2100x700	2100	700	2440	1155	2205	1410	2590	3770
MRF-2400x800	2400	800	2770	1280	2480	1610	2950	4290
MRF-2700x900	2700	900	3130	1440	2790	1810	-	-
MRF-3000x1000	3000	1000	3480	1600	3100	2010	-	-

1		
Rev	Description	Date
Note	All dimensions are in millimeters unless otherwise specified.	
 Shanghai Zhiyou Marine & Offshore Equipment Co., Ltd Room 405, Fudan Software Park, 188 Changyi Road, Shanghai China. Tel: +86-21-5645-2367 Email: sales@zhiyoumarine.com info@marineoutfittings.com Web: www.zhiyoumarine.com www.marineoutfittings.com		
Dwg Name	Marine Roller Wheel Fender	
	Scale	1:10 @A3
	Sheet	1/1
Dwg No.	ZY-MRF-RW	-

The drawings are for reference only, not used as production drawings. 此圖紙僅供參考，不作為生產圖紙。